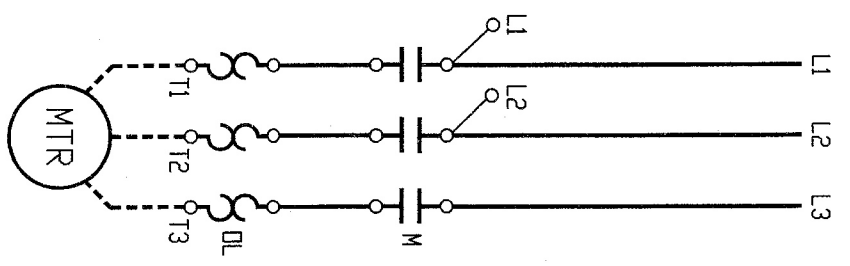


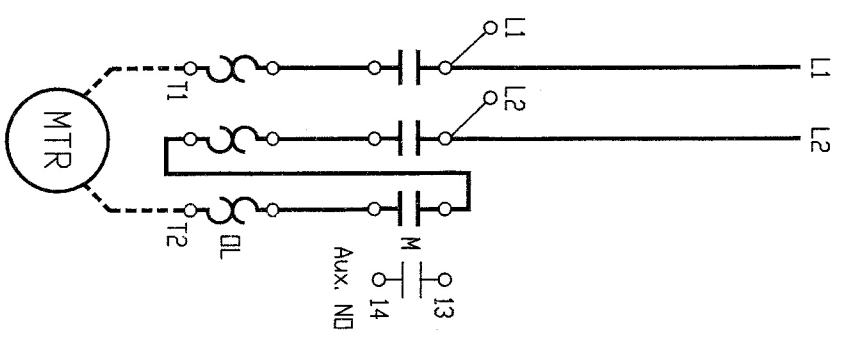
REMOTE START-STOP PUSHBUTTONS Series TEC...4XR... (Reset Only, See Note 1)

START-STOP PUSHBUTTONS Series TEC...KSS3... (See Note 1)

THREE-PHASE See Note 1)



SINGLE-PHASE See Note 1)



- NOTES:
- 1). L2 ON CONTROL CIRCUIT SHOULD BE CONNECTED TO NEUTRAL FOR 120V CONTROL VOLTAGE
 - 2). DASHED LINES INDICATE FIELD CONNECTION



WARNING

HAZARDOUS VOLTAGE
 WILL CAUSE DEATH OR SERIOUS INJURY.
 TO AVOID ELECTRICAL SHOCK OR BURN
 TURN OFF MAIN AND CONTROL VOLTAGES
 BEFORE PERFORMING INSTALLATION OR
 MAINTENANCE



Electrical and Electronic
 Controls, Inc.
 3981 Danbury Rd
 Brewster NY, 10809 USA
 (845)-278-5777 Fax (845)-278-5444
 Email: info@eeccontrols.com
 www.eeccontrols.com

Description
Direct On-Line Motor Starter
Compact NEMA 4X

Drawing No. **TEC-KSS3/4XR-1** REV. **0**

REV	DESCRIPTION	DATE	APP'D	DRAWN	CHECKED	APPROVED	DATE

LR
 TG
 DATE 01/04/08